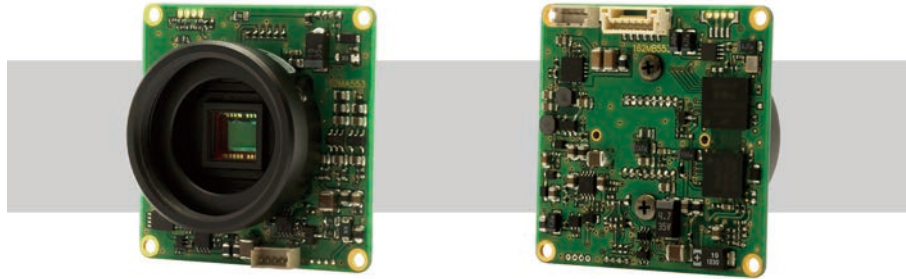


W-03CDB3 1/3" Multi-function Board Camera with CS Lens Mount

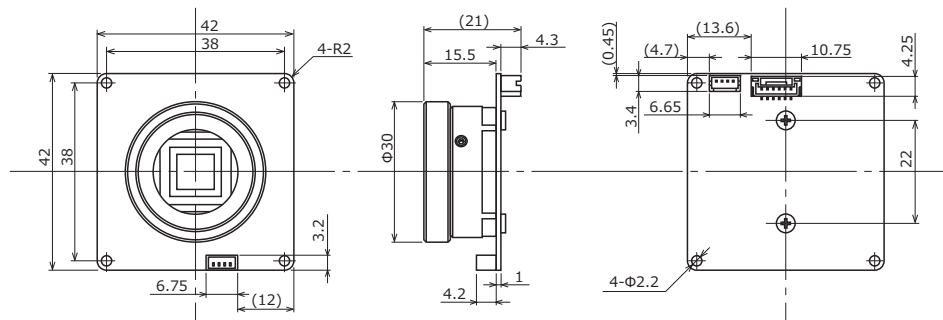
High functionality and high sensitivity for demanding scene conditions



Key features

- 1/3-inch CCD sensor with high sensitivity 0.005 lx F1.2 and resolution 650TVL
- Advanced setting available by OSD (On Screen Display) through an optional remote control
- 2DNR, privacy masking, BLC (Back Light Compensation)
- Mirror image, white blemish correction, contour correction
- Manual iris lens, video drive iris lens and DC drive iris lens compatible

Dimensions



Specifications

Video standard		NTSC	PAL
Pick-up element		1/3 inch interline transfer CCD image sensor	
Number of effective pixels		976(H) × 494(V)	976(H) × 582(V)
Unit cell size		5.4μm(H) × 7.4μm(V)	5.0μm(H) × 6.25μm(V)
Imaging system		Ye, Cy, Mg, and G complementary color mosaic filters on chip	
Synchronizing system		Internal	
Scanning system		2:1 Interlace	
Video output		Composite: 1.0 V(p-p) 75Ω (Unbalanced)	
Resolution (H)		More than 650TVL (Center)	
Minimum illumination		0.005 lx F1.2 (AGC ON=45dB, Shutter=OFF)	
S/N		More than 52dB (AGC OFF=-3dB, γ≐0.45)	
Function settings		OSD : Remote controller	
AE mode	Fixed	1/60, 1/100 sec.	1/50, 1/120 sec.
	EI	1/250, 1/500, 1/1000, 1/2000, 1/4000, 1/10000 sec.	
		1/60 - 1/1000000 sec.	1/50 - 1/100000 sec.
White balance		ATW, AWB, ACR, PWB, MWB, PRESET (5100K, 6300K)	
AGC	ON	-3 - 45dB	
	OFF	-3dB	
MGC		0 - 42dB (6dB step)	
Day/Night		Digital Auto, Manual	
Gamma characteristics		γ≐0.45	
Video level		Adjustable	
Noise reduction		2DNR OFF/ON Level adjustable	
Wide dynamic range		D-WDR OFF/ON Level adjustable	
Lens iris		Video / DC	
Back light compensation		BLC, HSBLC	
White blemish correction		Up to 64 pixels	
Sharpness		Level adjustable	
Defog		OFF/ON Level adjustable	
Digital zoom		-	
Privacy mask		8 masks	
Mirror image		OFF, H-FLIP	
Freeze		-	
Motion detection		-	
Neg.image		-	
Interface		4P connector (Composite Video, Power in), 4P connector (DC iris), Remote control (RC-01)	
Power supply		DC+12V±10%	
Power consumption		0.78W (65mA)	
Operating temperature		-10 - +50°C	
Storage temperature		-30 - +70°C	
Operating / Storage humidity		95% RH or less (Without condensation)	
Lens mount		CS mount	
Weight		Approx. 29g	
Accessories		4P cable, IRIS cable, Hex. Wrench	

Accessories
 Options

W-03CDB3

CS-mount lenses

13VG308ASIR II 13VG1040ASIR
 TG4Z2813FCS-IR-2 TG5Z8513FCS-IR

Miniature lenses / Mount adaptors

2520BC-12 0814BC-12
 2920BC-12 1220BC-12
 3820BC-12 M1616BC-12 22PMA-M12-125
 0625BC-12 2540EX014-M12
 0820BC-12

IRIS(DC)

Cable

IRIS cable (150mm)

IRIS cable

CC-02

C-mount lenses

※Not in our lineup

C-mount adaptor

30CMA-R

Cable

4P cable (300mm)

Cable with connectors

CB-02

VIDEO OUT (BNC)

Cables

1.5C2V (BNC/BNC)

3C2V (BNC/BNC)

3C2V (BNC/RCA)

VIDEO OUT

POWER IN (DC12V)

POWER IN (DC12V)

Power supply adaptors

SWI12-12-N-P5

SWI12-12-E-P5

VIDEO OUT (BNC)

VIDEO OUT (RCA)



※Not in our lineup

OSD

Remote control

RC-01